



MASTERCRAFTSAFETY.COM
1.800.565.4042

MASTERCRAFT® SAFETY
9335 Stevens Road
Santee, CA 92071




2011 CATALOG

RACE PROVEN DRIVER PREFERRED

MasterCraft® Safety is not responsible for typographic errors or misprints

Limited Warranty: MasterCraft® Safety products are sold with a one year (12 months from the date of purchase) Limited Warranty. Consult Limited Warranty Terms included with product or contact MasterCraft® Safety for full details.

WARNING! 
Motorsports are dangerous. No warranty or representation is made as to the product's ability to protect the user from injury or death. Even absent an accident, products are subject to failure or damage when exposed to the high stress involved. The user assumes that risk and all responsibilities.

Printed in the USA Copyright 2011 Part #1011MC \$4.95



MasterCraft®
SAFETY

2011 SAFETY AND
PRODUCT CATALOG

ANATOMY

The upholstery of the MasterCraft® Safety seat is made from the highest quality UV rated vinyl fabric with a center seating area insert of Marquesa Lana fabric. 5-point restraint system slots and shoulder belt loops included. Many colors are available to complement or contrast any color scheme.

Our one-piece suspension liner is made of nylon-coated Phifertex mesh. This provides a comfortable ride along with extreme strength and durability. The porous mesh has the ability to breathe, and it also allows moisture to pass through.

Superior quality polyurethane foam of different thickness and densities is laminated to the liner to create the desired shape and feel.

MasterCraft® Safety seats feature double Pirelli straps for additional comfort and support.

At all stress points the liner is double lapped and grommeted for maximum strength. It is attached to the frame with mil-spec nylon cord.

Each rugged MasterCraft® Safety seat starts with mild steel tubing (.065 wall HREW 1010). The tubing is precision formed using a numerical control rotary drawn process, fixtured and then MIG welded.

Your MasterCraft® Safety seat may be ordered with the optional Schukra adjustable lumbar support®. Fitted to the frame, it offers 3 inches of infinitely adjustable lumbar support and a left or right adjustment knob.



Used by more champion off-road racing drivers than any other seat, every MasterCraft® Safety suspension seat is precision formed and fixture-welded to maintain our exacting standards for integrity, fit and function. For over 30 years, MasterCraft® Safety's commitment to craftsmanship, excellence and durability has been found across the board in the winner's circle, the toughest trail and in every-day street vehicles. Our seats may be imitated, but not duplicated. Insist on the MasterCraft® Safety label.

TABLE OF CONTENTS

4	BAJA RS™	18	CAMLOCK RESTRAINTS / COMPONENTS
6	RUBICON	20	MOUNTING BRACKETS & ADJUSTERS
7	BENCH SEATS	21	WINDOW NETS / LIMIT STRAPS
8	3G™	22	STORAGE / GEAR BAGS
10	PROSEAT™ PRO4™	23	SPORT HANDLES / TIE-DOWNS / RATCHET STRAPS
11	ORIGINAL™	24	SEAT SPECIFICATIONS
12	SPORTSMAN™	25	FABRIC SAMPLES / VINYL SAMPLES
13	PWR SPORT™	26	RACESUITS
14	OPTIONS / ACCESSORIES	34	RACESUIT DIAGRAM
16	RESTRAINTS / COMPONENTS	35	FABRIC SAMPLES / MEASUREMENT CHART



MasterCraft® Safety was established in 1970 designing and pioneering suspension seats for off-road applications. Robert (Robbie) Pierce acquired MasterCraft® Safety in 1999 and brought the product line to the forefront of racing and specialty automotive markets.

Founded on a tradition of maximizing racer safety, MasterCraft® Safety expanded its product lines to include a full-line of SFI approved occupant restraint systems, window nets, and custom driving suits used in applications from NASCAR to SCORE to military vehicles. To complement the introduction to the specialty automotive aftermarket, MasterCraft® Safety also produced an entire line of storage, gear bag and tie-down accessories to provide a complete assortment of comfort and safety solutions for almost any driving application.

MasterCraft® Safety was fortunate to have drawn upon the expert advice of racing legends such as Ivan Stewart, Walker Evans, Curt LeDuc, and NASCAR's Justin Lofton and Jason Keller. Today's engineering designs reflect that world-class experience producing world-class products.

MasterCraft® Safety also campaigns a competitive off-road racing program where Robbie and his fellow drivers utilize the products in the "real" application. This provides the best possible feedback for continuous improvement and design innovation.

MasterCraft® Safety is a registered trademark of MasterCraft Incorporated



BAJA RS™

BAJA RS™ SEAT FEATURES

- 9-position reclining seat
- 5-point seatbelt slots (with loops to secure belts in place)
- Hip containment: 6.5"

Optional Adjustable Headrest



Baja RS™

A MasterCraft® Safety breakthrough!

The first reclining suspension seat for off-road enthusiasts, the **Baja RS™** retains the safety, comfort and fatigue-fighting ergonomics of our suspension seats. An all metal heavy-duty 9-position reclining mechanism is standard, for years of trouble-free comfort. **Baja RS™** shares the same flexibility in mounting as the Rubicon series seat.

Baja RS™ is available in 7 standard color combinations.

See page 25 for fabric options
Custom seat options available



Schukura Adjustable Lumbar Support®



Billet Aluminum Reclining Lever



Reclines For Extra Comfort

BENCH SEATS



Shown with DirtSport® Cover

The **Rubicon** is a great replacement for many Jeep® applications. It bolts directly in to most CJ5 and all CJ7 and YJ models. TJ, XJ and JK models are also bolt-in when used with our vehicle specific mounting kit, available on page 20. The **Rubicon** also works well with Samurai, Land Cruiser, Scout or Land Rover applications.

See page 25 for fabric options
Custom seat options available

RUBICON SEAT FEATURES

Great hip containment
Low sides allow easy entry into the vehicle
5-point seatbelt slots
Hip containment: 6.5"

Featuring the same race winning suspension system as our competition ProSeat™ and 3G™ Seats



RUBICON BENCH

Made just like our suspension seats, the **Rubicon Bench** was developed to fit into CJ7, YJ and TJ series Jeeps, and 1966-77 Broncos without drilling holes. Benches vary in width from 36" to 40" depending on application and work well in CJ5, Scouts or Land Rover with some drilling required. As with our seats, slots for 2 lap and Anti-Submarine belts as well as shoulder harness retaining loops are standard.



THE ORIGINAL BENCH

The **Original Bench** suspension seat for recreational sand cars, buggies and off-road vehicles was designed so the rest of your gang can ride along in safety. The Original Bench comes standard with MasterCraft® Safety's redesigned 4-vertical-tab mounting system and is also 3" shorter front to back, to allow more leg room.

Bench seat available in 2" increments from 36" wide to 60" wide. Also bolts directly into JK with mounting kit.



Jeep Wrangler TJ Factory Fit™ Slip Cover

FACTORY FIT™ SLIP COVER

Upgrade your factory OEM fold-and-tumble rear bench seat with MasterCraft® Safety's new **Factory Fit™** slip cover. Available in MasterCraft® Safety color combinations to match your Rubicon or Baja RS™ seats.

Available for all OEM Jeep, fold and tumble and JK rear benches.

Any color vinyl, trim or fabric available.

See page 25 for fabric options
Custom seat options available

3G™



Shown with
DirtSport® Cover
3" Restraint
Sewn-in Pads

3G™ SEAT FEATURES

- Deep-sided race seat
- 5-point seatbelt slots
- Hip containment: 10.5"
- Upper torso containment: 8"
- Size: 36" tall / 22" wide / 28" deep
- Mounting area: 15" (front to back) x 13" wide on center
- Sitting level (height from floor): 4"
- Available in standard, -1 plus 1" and 2" at additional cost



3G™

The **3G™** features European styling with MasterCraft® Safety's race-proven suspension system to increase lateral support, so important in today's racing conditions. Originally developed for violent, high-speed, short course off-road racing, the **3G™** increasingly finds itself outfitting state-of-the-art Trophy Trucks. Developed with input from champion racers. Superior engineering and construction make the **3G™** the most advanced suspension racing seat available.

See page 25 for fabric options
Custom seat options available

"The MasterCraft Safety 3G seat is by far the most comfortable and **safest seat** I have ever raced in."

- Randy Merrit, #8181



PROSEAT™ PRO4™



See page 25 for fabric options
Custom seat options available

PROSEAT™
The standard for reliability and comfort in competitive off-road race vehicles for over a decade, MasterCraft® Safety's ProSeat™ incorporates a higher side for more than 9 inches of hip containment, plus the right combination of feel and fatigue-busting stability. Hundreds of off-road races have been won in this seat.

PROSEAT™ FEATURES
Deep-sided race seat
5-point seatbelt slots
Hip containment: 9.5"



ProSeat™ Utilizes our RailMount™ Technology

PRO4™
The Pro4™ is our ProSeat™ redesigned with four vertical tabs for mounting. We always want to provide you with the safest racing seat possible, so we strengthened the mounting tabs by integrating them up into the frame. This, combined with MasterCraft® Safety's quality and race-proven designs, makes our Pro4™ the safest and most comfortable four-tab racing seat available.

The Pro4™ will fit any 14"x18" four-vertical-tab mounting system.



Pro4™ Utilizes our TabMount™ Technology

ORIGINAL™

ORIGINAL™
The Original™ designed in 1970 became the original suspension seat for off-road racing. This seat utilizes our gusseted, TabMount™ Technology and remains a popular choice for competition and recreational vehicles alike.



ORIGINAL™ SEAT FEATURES
Low-profile suspension seat
5-point seatbelt slots
Hip containment: 7"

See page 25 for fabric options
Custom seat options available



Bench seat available in 2" increments
from 36" wide to 60" wide

SPORTSMAN™



STEWART RACEWORKS
LUXURY F150 PRE-RUNNER

Shown with DirtSport® Cover

SPORTSMAN™

Our Sportsman™ cut its teeth pre-running Baja and chasing down race cars in the Nevada desert. Due to its mounting design the Sportsman™ is a great choice for early or late model Broncos, and adapts just as easily to Rangers, S-10s and Toyotas, as it does to full-size Ford, Chevy and Dodge trucks. Whether you're out weekend 4-wheeling, or trying to get a spare part to a Trophy Truck in the middle of Baja, the Sportsman™ is the seat you can trust your body to.

See page 25 for fabric options
Custom seat options available

"you dont appreciate your safety products until you need them."

- Cameron Steele, #1

**WORKS GREAT WITH
POLARIS RZR**

Requires adapter bracket #624409

PWR SPORT™



Shown without Headrest



AVAILABLE FOR
RHINO TERYX

As well as most popular UTV applications

PWR sport

We are pleased to announce the availability of a seat specifically for the Yamaha Rhino and Teryx. The seat features direct bolt-in to factory mounts while retaining a full-size seat profile. One part number fits both the driver or the passenger position.

Headrest pad cover available. Also available with fixed headrest

The seats will fit with Yamaha's factory seatbelt.

See page 25 for fabric options
Custom seat options available



OPTIONS

SEAT SAVER

Our **Seat Saver** is made of moisture-repellant Cordura® with Velcro® latches on the front and sides. Pull up the Velcro® and the flap pushes in so you can sit in the seat without having to remove the **Seat Saver**. Red and Black, in sizes to fit most MasterCraft® Safety seats.



SCHUKRA ADJUSTABLE LUMBAR SUPPORT®

The patented lumbar support adjusts up to 3" in the lower back area and because it is mechanical, it will hold its form. Choose left side or right side adjustment handles. Available as an option at the time of order on any MasterCraft® Safety seat.



600034
DIRTSPOUR® COVER
Available on all seats.



600006 SEAT HEATER

A great option for your new seat, ideal for cold weather or it can be used year-round to relieve tension or stress in the lower back. **Seat Heaters** are pre-installed during assembly, so be sure to order when you order your seat. **Seat Heaters** are American made units, 12 volt, and meet all FMVSS 302 flammability requirements. The electrical harness comes complete with switch and features an indexed GXL 18 wire to simplify installation. Available on any MasterCraft® Safety seat or bench.



600031 ADJUSTABLE HEADREST

Three-position **Adjustable Headrest** is integrated into the steel seat frame and is available as an option on **Baja RS™**, **Rubicon**, **Sportsman™**, **Original™**, **ProSeat™**, **Pro4™**, and **Bench** seats. This option cannot be installed after the seat is made, so be sure to order when you order your seat.



600008 SEAT POCKET

Add a pocket to the back of your seat to hold maps, bottles, hats. **Rear Seat Pocket** measures about 8" x 11" and features a Velcro® flap for positive closure. Available as an option at the time of order on any MasterCraft® Safety seat.



SEAT BOOSTER PADS

Our seat booster pads come in a 2" thickness with your choice of a bottom cushion or a bottom cushion attached to a back cushion.

600026 Seat Booster Pad, 2" thick
600028 Seat and Back Pad, 2" thick



ACCESSORIES

600062 OMEGA™ WATER BEAST (reservoir only)
CamelBak's new OMEGA™ Water Beast Reservoir is the ultimate protection for an operator's water supply. The reservoir's increased durability, OMEGA™ wide-mouth opening, rugged texture and HydroGuard™ Anti-Microbial Technology ensure the delivery of safe, clean water during extreme operational situations. Includes Big Bite™ Valve.



As shown - CamelBak Set - 600061
Combo Pocket and reservoir

600063 CLEANING KIT

All the right cleaning tools in one easy to use kit. Includes two brushes, two cleaning tablets, and new reservoir dryer.



600065 CLEANING TABLETS

Keep your reservoir free from taste and odor and ready for your next adventure. Fast-acting tablets are easy-to-use and work in just 5 minutes.

HELMET SKIRT

Fuel-repellent top, soft knit bottom. SFI3.3 Approved
Available colors:
Red **630034**
Black **630033**
Blue **630035**



DRIVER/CO-DRIVER/CREW KNEE PADS

Nomex®, soft knit back
Available colors:
Red **630021**
Black **630020**
Blue **630022**



CONTOURED HELMET SUPPORT

SFI approved, fire retardant foam, Nomex® knit, Velcro® closure
Available colors:
Red **630002**
Black **630001**
Blue **630003**



600067 P.S.S. KITS
Personal Sanitation System
MasterCraft® Safety
RaceSuits come with P.S.S.
loops down both legs



RESTRAINTS

MasterCraft® Safety restraint systems are used by Off-Road drivers such as Rob MacCachren, Scott Douglas, Gus Vildosola, and NASCAR drivers Justin Lofton and Jason Keller. SFI 16.1 and 16.5 compliant, all MasterCraft® Safety competition restraints feature our exclusive Latch Guard - an extra to prevent accidentally un-latching your restraints. Most sanctioning bodies require replacement after two years or after a "big" event; so do not compromise your safety - go with MasterCraft® Safety.

We also offer a full line of non-competition belts, in both 3" and 2" webbing widths, with racing style Latch-and-Link.



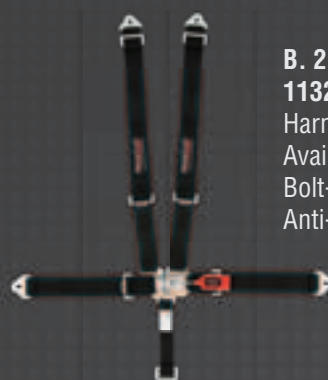
A. 3 x 3 SERIES LATCH-AND-LINK

110214, 3" x 55" Lap Belt and 3" x 48" Dual Shoulder Harness, 5-Way Latch-and-Link System with Latch Guard. Available in SFI 16.1 and 16.5 certifications. Available with Bolt-In, Snap-In or Wrap-Around ends, 5 colors.



B. 2 x 2 SERIES LATCH-AND-LINK

113204, 2" x 55" Lap Belt and 2" x 48" Dual Shoulder Harness, 5-Way Latch-and-Link System with Latch Guard. Available in SFI 16.1 and 16.5 certifications. Available with Bolt-In, Snap-In or Wrap-Around ends, 5 colors. Anti-Submarine belt included.



C. 3 x 2 SERIES LATCH-AND-LINK

118204, 3" x 55" Lap Belt and 2" x 48" Dual Shoulder Harness, 5-Way Latch-and-Link System with Latch Guard. Available in SFI 16.1 and 16.5 certifications. Available with Bolt-In, Snap-In or Wrap-Around ends, 5 colors. Anti-Submarine belt included.



NOW AVAILABLE with QSR - Quick Safety Release adjusters! Check price and application guide for options available



Restraints are available in Black, Red, Blue, and Grey. Options include Sternum Latch, Sewn-in Harness Pads or Velcro® Harness Pads



RESTRAINT COMPONENTS

"I have been fortunate enough to compete with some of the top racers in the world. This has allowed me to see first-hand what is required in designing the **safest possible race products.**"

- Robbie Pierce, Trophy Truck #30, CEO MasterCraft® Safety, Inc.



120204 shown, 3" Latch-and-Link Seat Belt 3" x 55" w/Velcro® Latch Guard



121204 shown, 2" Latch-and-Link Seat Belt 2" x 55" w/Velcro® Latch Guard



123004 2" Dual Harness shown with Sewn-in pads 630014



122004 3" Dual Harness



125502 Dual Anti-Sub Belt



125004 Single Anti-Sub Belt



Velcro® Harness Pad - Flame-Retardant

Red 630023
Black 630024
Blue 630025

WARNING: These products are sold without warranty expressed or implied. No warranty or representation is made as to this product's ability to protect the user from any injury or death. Be advised that off-road racing and other forms of motorsports are dangerous and products are subject to failure when exposed to the high stress that is involved. The user assumes all risks and responsibilities. Not applicable or intended for street or highway use.

MasterCraft® Safety occupant restraint systems are manufactured for off-road use only. Seat belts should always be used as a complete set, (Lap belt, Shoulder Harness and Anti-Submarine belt) and should be replaced every 2 years.



MasterCraft® Safety can also provide individual components as Lap belts, Shoulder Harnesses, Anti-Submarine belts and mounting hardware. Lap, Shoulder and Anti-Submarine belts are available in Black, Red, Blue, or Grey.

Harness Pads are constructed of flame retardant materials, available in Black, Red or Blue. Pads are designed to fit up to 3"- wide shoulder harness webbing.

Sewn-in Pads in flame-retardant material are also available in Black, Red, or Blue.

CAMLOCK RESTRAINTS

MasterCraft® Safety **Camlock restraints** featuring **QSR (Quick Safety Release)** adjusters for increased safety and ease of adjustment are just one of the many features that set these restraints apart from those of our competitors. Certified to the most stringent S.F.I. 16.1 and 16.5 standards, these restraints meet most sanctioning bodies' requirements and are offered in several configurations to work in practically any vehicle configuration. Featuring polyester woven belt material for increased strength and longevity, MasterCraft® Safety restraints continue to be the preferred choice of top competitors in SCORE, LOORS, TORC, NHRA and NASCAR competition!



NASCAR driver Justin Lofton



A. 6-POINT CAMLOCK RESTRAINT WITH QSR ADJUSTERS 117404, 3" x 55" lap and 3"- 2" transition dual shoulder harness for use with Hans® or similar devices. Available with Bolt-In, Snap-In or Wrap-Around ends. Dual anti-submarine belts included. SFI 16.5 approved.

B. 6-POINT CAMLOCK RESTRAINT WITH QSR ADJUSTERS 117414, 3" x 55" lap and 3" x 48" dual shoulder harness. Available with Bolt-In, Snap-In or Wrap-Around ends. Dual anti-submarine belts included. SFI 16.5 approved.

C. 5-POINT CAMLOCK RESTRAINT 116804, 3" x 55" lap and 3" x 48" dual shoulder harness. Available with Bolt-In, Snap-In or Wrap-Around ends. Anti-submarine belt included. SFI 16.1 approved.



Bolt-In Mount

Snap-In Mount

Wrap-Around Mount

RESTRAINT COMPONENTS



Camlock System



QSR - Quick Safety Release



"sometimes being able to **walk away** is **better than driving away.**"

- Sean Geiser, #16,



WARNING: These products are sold without warranty expressed or implied. No warranty or representation is made as to this product's ability to protect the user from any injury or death. Be advised that off-road racing and other forms of motorsports are dangerous and products are subject to failure when exposed to the high stress that is involved. The user assumes all risks and responsibilities. Not applicable or intended for street or highway use.

MasterCraft® Safety occupant restraint systems are manufactured for off-road use only. Seat belts should always be used as a complete set, (Lap belt, Shoulder Harness and Anti-Submarine belt) and should be replaced every 2 years.

MasterCraft® Safety can also provide individual components as Lap belts, Shoulder Harnesses, Anti-Submarine belts and mounting hardware. Lap, Shoulder and Anti-Submarine belts are available in Black, Red, Blue, Purple or Grey.

Harness Pads are constructed of flame retardant materials, available in Black, Red or Blue. Pads are designed to fit up to 3"- wide shoulder harness webbing.

Sewn-in Pads in flame-retardant material are also available in Black, Red, or Blue.



MOUNTING BRACKETS & ADJUSTERS



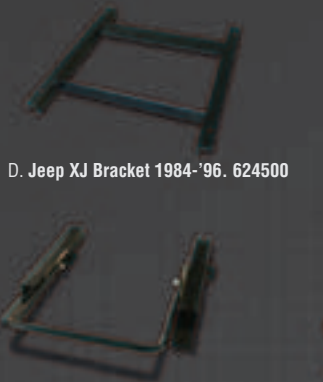
A. JK Mounting Brackets. 624407



B. RZR Mounting Bracket. 624409



C. Seat Adjuster, Lever release. 620030



D. Jeep XJ Bracket 1984-'96. 624500



E. Jeep TJ Bracket Kit 1997-'02. 624005



F. Jeep TJ Adapter Kit 2003-'06. 624205

G. Seat Adjuster, Towel Bar. 620331

H. Ford Bronco Bracket 1966-'77. 620704

I. Toyota PU Bracket 1989-'95. 623304

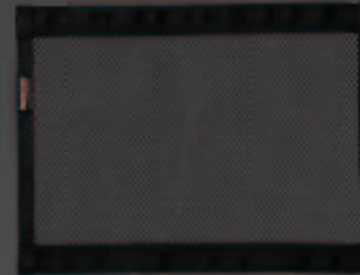
J. Ford Ranger Bracket 1993-'02. 621104

MasterCraft® Safety develops and manufactures easy, bolt-in mounting brackets and adapters for installing the **Baja RS™**, **Rubicon** and **Sportsman™** series seats in a variety of popular vehicles. Powder coated a satin black for durability and original equipment look, with all hardware and instructions.

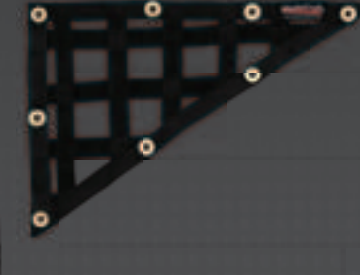
MasterCraft® Safety offers two styles of adjusters. Our Lever Action unit has heavy-duty steel slides, with wire-actuated teeth, e-coated slides to resist corrosion. Our Towel Bar unit is a bit meatier, with thicker e-coated steel slides and powder coated "U" shaped towel bar actuating both sets of engaging teeth.

- A. **JK Mounting Brackets**, 4dr JK rear mount. Fits one (1) bench or two (2) buckets. **624007**
 - B. **RZR Mounting Bracket**. **624409**
 - C. **Seat Adjuster Kit**, for one seat. 6" of travel. **620030**
 - D. **Jeep XJ Bracket**, fits driver or passenger side. **624500**
 - E. **Jeep TJ Bracket Kit**, passenger side. **624005**
Jeep TJ Bracket Kit, driver side. **624004**
 - F. **Jeep TJ Bracket Kit**, passenger side. **624205**
Jeep TJ Bracket Kit, driver side. **624004**
 - G. **Heavy Duty Seat Adjuster Kit**, for one seat. 6" of travel. **620331**
 - H. **Ford Bronco Bracket with Adjuster**, driver side. **620704**
Ford Bronco Bracket with Adjuster, passenger side. **620705**
 - I. **Toyota PKUP Bracket**, **623304** driver side. **623305** passenger side.
 - J. **Ford Ranger Bracket**, **621104** driver side. **621105** passenger side.
- Many additional mounting brackets available. Call for details.

WINDOW NETS & LIMIT STRAPS



MESH TYPE



RIBBON TYPE



RIBBON TYPE

MasterCraft® Safety window nets are SFI 27.1 Certified

We also offer a COT (Car of Tomorrow) net which is SFI 27.1 Approved

WINDOW NETS

We can provide you with custom window nets made to your patterns.

Nets come in three types:

- Mesh with nylon binding - Black only. Or
- Ribbon with 1" webbing - choice of Black, Red or Blue.

Choose methods of attachment from the following:

- Snaps
- Screws
- Velcro®
- Grommets
- Bar flaps

CUSTOM SIZED NETS AVAILABLE

Send us your pattern cut from cardboard or heavy paper. Please note top, bottom, front and rear of car and choice of color binding:

Red, Black, or Blue.

SFI 27.1 Approved

27.1 nets have to be bar flap top and bottom

LIMIT STRAPS

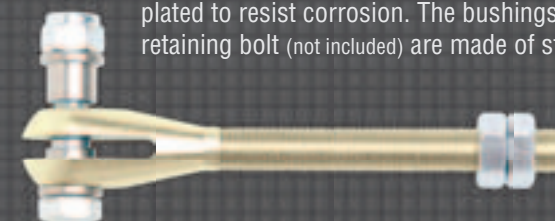
Any length, custom made to order. Our limit straps are made from 7000-lb, MIL-SPEC rated webbing material - strongest in the business! Just measure your required eye-to-eye distance and provide us with those dimensions. Double (2-layer), Triple (3-layer), Quad (4-layer). Available in Black only.



Can be made any length, custom made to order.

600100 CLEVIS PIN

Our new adjustable clevis is domestically manufactured of 4130 chrome-moly and plated to resist corrosion. The bushings for the retaining bolt (not included) are made of stainless steel.



STORAGE & GEAR BAGS



D.



E.



F.

D. Impact Gun Holster Choose from three sizes to accommodate 12-volt to 36-volt impact gun. Super rugged vinylized material keeps impact from moving about, and buckle closure secures gun. Other pockets hold lug nuts, socket and spare battery. Attaches with Velcro® panel and straps. Black only. Call for assistance on correct size.

E. 640132 Sat Phone Bag Handy bag features rugged zipper closure, padded interior to safely hold standard satellite telephone. Also happens to fit half liter drink bottles like water or other sport drinks. Includes both loop and Velcro® strap attachment.



640126 Walker Bag This handy bag was created especially for Walker Evans. Our 10" x 20" bag with zipper closure is made of tough, waterproof and tear-resistant material, padded for durability with two carry handles. Available in Black, Red, Blue or Yellow.



640142 Canvas Tool Bag Made from heavy canvas with a reinforced bottom and rugged zipper closure, this bag is equipped with two carry handles and a bag strap for mounting. It is great for storing tools, jumper cables, towropes and wrench roll-ups. Available in Black only.



640146 Red Helmet Bag The soft padding inside protects your valuable helmet from scratches, dings, dents. Outside you will find a durable Cordura® outer shell with full zipper closure and molded rubber handle. Available in Black and Red.

A. Tool Totes Available in three standard sizes, these water-repellant totes have padding on the bottom to protect your tools. The diagonal zipper allows the bag to open wide, providing easy access inside. Heavy-duty straps with Footman Loops and Buckle Closure included to secure the bag.

Small Tool Tote
6" x 12" x 2" w/ 2 bag straps

Medium Tool Tote
6" x 17" x 2" w/ 2 bag straps

Large Tool Tote
8" x 17" x 3" w/ 2 bag straps

B. Jimco Bag First used in Jimco's race cars. They work great in the odd shapes between roll cage tubes. Store sunglasses, extra gloves, maps, etc. Secure using Velcro® straps.

Small Jimco Bag
13" x 9" x 2"

Large Jimco Bag
18" x 13" x 2"

C. Door Bag Created for first-aid supplies, the vinylized bag features Velcro® closure on the flap allowing easy access in emergencies. Attaches to nearly any door or panel and will also hold towels, goggles, tools, batteries or anything else!

Door Bag
8" x 8" x 2"

Tool Totes, Jimco Bags and Door Bags are available in Black, Yellow, Blue and Red

F. Wrench Roll-Ups Constructed from 100% cotton duck canvas, these organizers fit open-end box wrenches and close with a Velcro® strap.

Small: 640139 15 slots, in widths ranging from 1" to 3" wide. Opened: 27" tall x 26" wide.

2-Pocket Roll-Up: 640140 8 slots, in widths ranging from 2" to 3" wide, with a 5" pocket on each side. Opened: 29" tall x 28" wide.

4-Pocket Roll-Up: 640141 4 slots, in widths ranging from 2" to 2" wide, with (2) 5" pockets on each side. Opened: 29" tall x 28" wide.

All sizes measure 15" when rolled up. Available in Black only.



SPORT HANDLES TIE-DOWNS & STRAPS

SPORT HANDLES

Manufactured from 1.5 nylon webbing for strength and durability. 5" Thermo-Press handle does not collapse in your hand. We add a 3rd mounting strap for extra support when you really need it. Available in Black, Red, or Blue for 2" or 3" diameter tubing.



Shown in 4 Door JK



Shown
4 pc. JK Model
684206



A. 400001



B. 400004



C. 400012



D. 400014



E. 400016

A. 1" x 6' strap w/cam buckle (also available in 1" x 15'). Rated at 1,200 lbs. max. load, features large, vinyl-coated S-hooks.

B. 1" x 6' ratchet strap (also available in 1" x 15'). Rated at 2,800 lbs. max. load, features wide-handle ratchet.

C. 2" x 7' ratchet strap w/chain extensions. Rated at 10,000 lbs. max. load, features anchor hooks on chains.

All MasterCraft® Safety straps are built to the same high-quality standards and integrity as its legendary seats. These premium straps feature additional stitching for higher strength.

D. 2" x 7' ratchet strap w/ twisted snap hooks. Rated at 10,000 lbs. max. load, heavy-duty, features snap hooks at each end for positive attachment.

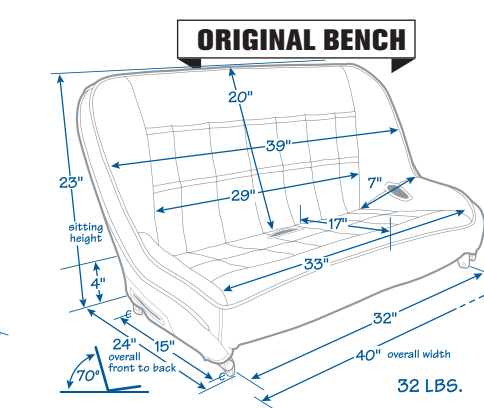
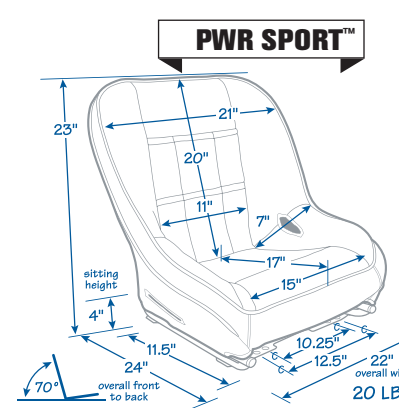
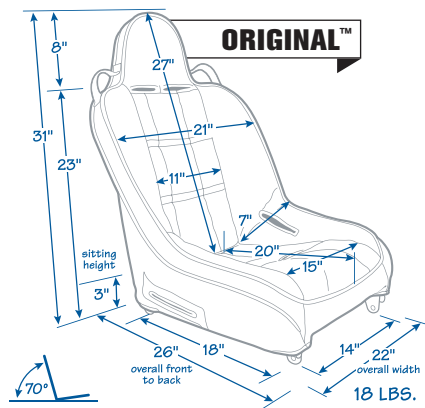
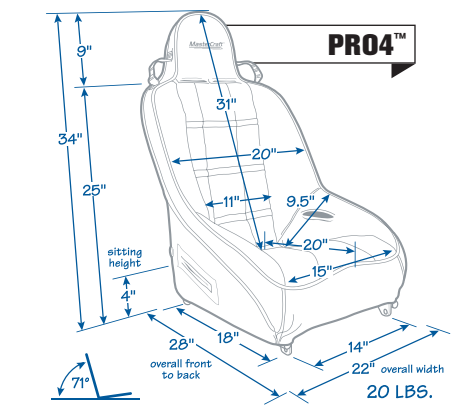
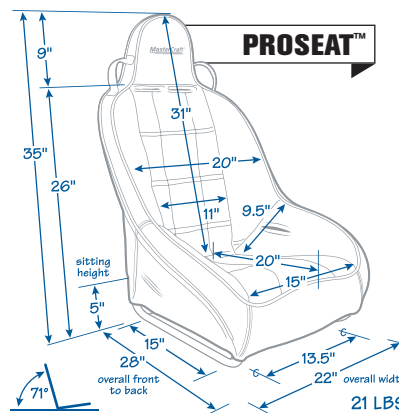
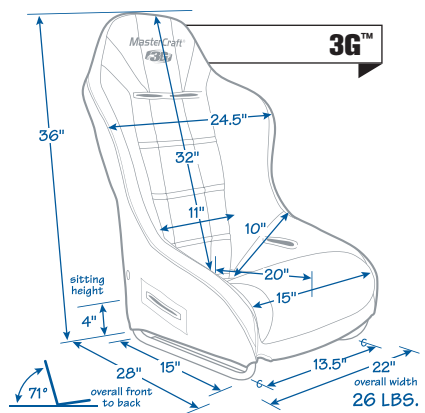
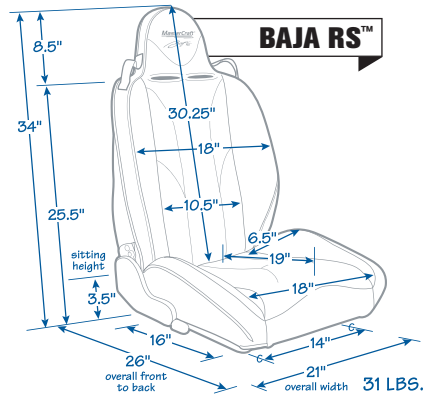
E. 2" x 8' ratchet strap w/twisted snap hook and axle loop. Rated at 10,000 lbs. max. load, heavy-duty, features snap hook at one end and axle loop with protective sleeve at the other. 12" of adjustment.

1" straps are ideal for motorcycles, ATVs, watercraft and light equipment.

2" straps feature 5 rows of stitching for higher load rating and quality. **NOT FOR USE AS TOW STRAP**



SEAT SPECIFICATIONS



OEM replacement seat shown, also available with headrest*

40" bench shown, other widths available in 2" increments from 36" to 60"*

*See page 13 for details

*See page 11 for details

FABRICS

Only premium fabrics are used and feature top quality materials with ultra-violet inhibitors to repel fade and maximize durability. These superior fabrics are also treated for stain resistance. Cordura® fabric upgrades may be subject to "Special Order" surcharge.



VINYLS

Highest quality vinyls are selected to make sure you get rich color, fade resistance and durability that meets or exceeds the materials car makers use.



Only the finest materials are used in the construction of MasterCraft® Safety seats. Colors can be mixed or matched to complement the overall look of your 4x4, buggy, race truck or boat. Simply refer to the color number when ordering your MasterCraft® Safety seats.

NOTE: All colors are subject to availability. Actual color of material may vary from printed sample.

MASTERCRAFT[®] SAFETY RACESUIT

SFI APPROVED

Continuous research, development, and testing is conducted to perfect what may be the most underrated, yet most critical piece of equipment a driver owns. MasterCraft[®] Safety creates each race suit with style and appearance in mind while focusing on our ultimate goal: **Safety**. We understand that each suit that leaves our building is a safety tool and has the potential to save a life. We also understand that each driver prefers their suit to be built in a certain way and with specific details added. With a wealth of driver feedback, and the resource of CEO Robbie Pierce, MasterCraft[®] Safety takes every detail into account when designing a suit- no driver will have to just tough it out for 500 miles. Though safety and comfort are the main priority, a race suit is also more than a protective cover between a driver and a potential disaster; every driver wants to look their best for the podium. They are representing their team, their manufacturers, and their sponsors alike. If the driver looks good, we look good and everyone benefits from our work. We are continuously improving our comfort and style designs, materials, details, and options to promote the best practices in safety performance.

FEATURES AND BENEFITS OF THE MASTERCRAFT[®] SAFETY RACESUIT

Quilting: Quilting is standard on all MasterCraft[®] Safety race suits to improve air circulation and transfer heat at a slower rate and with less force and energy. MasterCraft[®] Safety offers box stitch quilting and V-stitch quilting. The air pockets formed between each stitch pattern delays the heat from being transferred to the body as quickly.

Bent Sleeve Construction: The distinctively shaped bent sleeve allows for more comfort in the driving position. The pre-existing bend in the sleeve reduces the amount of material that would normally bind up in the bent-arm position.

HANS[®] and Head & Neck Restraints: Overlock flat stitching is used under HANS[®] devices and other restraint systems to improve strength and reduce pressure points.

BASOFIL[®] Inner Liner on Two Layer suits: As used in the military, MasterCraft[®] Safety uses BASOFIL[®] fiber for the inner liner and heart of the suit. The FR outer shell and FR BASOFIL[®] liner are sewn together with overlock flat seam construction at all edges so they move as one piece and increase comfort while keeping the suit from bunching up in critical areas. Our liner is directionally cut thus maximizing movement and flexibility.

Soft Knit NOMEX[®]: Soft Knit NOMEX[®] is lined throughout the collar and 360° floating sleeve to prevent irritation and add overall comfort.

360° Floating Sleeves: The design of the 360° floating sleeve provides drivers unrestricted motion and greater freedom of movement.

Lumbar Back Gusset: The Ribbed Knit Nomex[®] IIIA used in the lumbar back gusset stretches up to 12 inches and allows for full strength movement while controlling the suit from riding up while in the seated position. The lumbar back gusset also acts as a cooling agent for the suit increasing breathability without compromising safety.

Side Torso Panels: The Ribbed Knit Nomex[®] IIIA used in the side torso panels provides a comfort fit for all body types stretching up to 12 inches while also increasing the movement and air flow throughout the suit.

Epaulets: Exclusively tailored MasterCraft[®] Safety epaulets are designed to eliminate pressure points and discomfort to the back and shoulders when restraint systems are in place. Epaulets are double stitched for added strength in the event a driver must be extracted from the vehicle.

Collar Options: MasterCraft[®] Safety offers two styles of collars for the driver's preference; Wrap- Around and Rounded. To allow for more coverage and increased safety, both styles are designed with a higher back to eliminate excess skin exposure.

Elasticized Waistband and Adjustable Belt: Standard on all suits is the elasticized waistband and adjustable belt which provide the driver with added comfort and maximum flexibility in the seated position.



"We build safety products I believe in..."

- Robbie Pierce, Trophy Truck #30,
CEO MasterCraft[®] Safety, Inc.

SFI 3.2A/1

STYLE ONE | 1-PIECE 1-LAYER

Materials: FR cotton PROBAN[®]
Knit NOMEX[®]

Sizes: Small – Medium – Large
XL – XXL – XXXL

Colors: Red FR cotton PROBAN[®]
Blue FR cotton PROBAN[®]
Black FR cotton PROBAN[®]
Gray FR cotton PROBAN[®]



INCLUDED:

Wrap-Around collar w/ Velcro[®] closure & MasterCraft[®] Safety "button" logo
360° Floating sleeve made from Ribbed knit NOMEX[®]
Straight sleeve cut
Ribbed knit NOMEX[®] cuffs
Boot cut w/ hidden ribbed knit NOMEX[®] ankle cuffs
Tonal thread box stitch quilting
Personal Sanitation System loops down both legs
Two hidden pockets on interior chest of suit
Standard side pockets
Ribbed knit NOMEX[®] lumbar back gusset
Ribbed knit NOMEX[®] breathable side torso panels

ADDITIONAL OPTIONS FOR PURCHASE:

Sewn-In arm restraint attachments
Baja cargo pocket w/ Velcro[®] closure
Clear front cargo pocket w/ Velcro[®] closure
Elbow pads
Knee pads

Custom embroidery (send art for quote)

SFI 1	Suit Type	SFI Rating	TPP Rating
	1-Piece / 1-Layer	SFI-1	Over TPP 9

See pages 34 & 35 for suit diagram
& fabric colors

MasterCraft[®] Safety carries a wide variety of NOMEX[®] fabric. Please be aware that colors may vary between batches of material. Fabric samples are available upon request.

MasterCraft[®] Safety RaceSuits are designed to fit best while in the driving position. To avoid an inaccurate fit, please do not alter your measurements from their actual size. We cannot accept responsibility for inaccurate measurements provided to us. NOMEX[®] is a registered trademark of DuPont.



SFI 3.2A/5



STYLE ONE | 1-PIECE 2-LAYER

Materials: Sateen NOMEX[®]
 NOMEX[®] IIIA
 Knit NOMEX[®]
 BASOFIL[®]



Sizes: Small – Medium – Large
 XL – XXL – XXXL

Colors: Red
 Blue
 Black
 Gray

INCLUDED:

- Wrap-Around collar w/ Velcro[®] closure & Mastercraft[®] Safety “button” logo
- 360° Floating sleeve made from ribbed knit NOMEX[®]
- Two-Panel bent sleeve
- Ribbed knit NOMEX[®] cuffs
- Boot cut w/ hidden ribbed knit NOMEX[®] ankle cuffs
- Tonal thread box stitch quilting
- Personal Sanitation System loops down both legs
- Two hidden pockets on interior chest of suit
- Standard side pockets
- Ribbed knit NOMEX[®] lumbar back gusset
- Ribbed knit NOMEX[®] breathable side torso panels

ADDITIONAL OPTIONS FOR PURCHASE:

- Sewn-In arm restraint attachments
- Baja cargo pocket w/ Velcro[®] closure
- Clear front cargo pocket w/ Velcro[®] closure
- Elbow pads
- Knee pads
- Sewn-In stirrups

Custom embroidery (send art for quote)

SFI	Suit Type	SFI Rating	TPP Rating
5	1-Piece / 2-Layer	SFI-5	Over TPP 19

See pages 34 & 35 for suit diagram & fabric colors

MasterCraft[®] Safety carries a wide variety of NOMEX[®] fabric. Please be aware that colors may vary between batches of material. Fabric samples are available upon request. NOMEX[®] is a registered trademark of DuPont.

SFI 3.2A/5



STYLE TWO | 1-PIECE 2-LAYER

Materials: Sateen NOMEX[®]
 NOMEX[®] IIIA
 Knit NOMEX[®]
 BASOFIL[®]



Sizes: Small – Medium – Large
 XL – XXL – XXXL

Color Ways: Red/Black Blue/Black
 Gray/Blue Gray/Black
 Red/Red White/Black
 Blue/Blue

INCLUDED:

- Wrap-Around collar w/ Velcro[®] closure & Mastercraft[®] Safety “button” logo
- 360° Floating sleeve made from ribbed knit NOMEX[®]
- Two-Panel bent sleeve
- Ribbed knit NOMEX[®] cuffs
- Boot cut w/ hidden ribbed knit NOMEX[®] ankle cuffs
- Tonal thread V-Stitch quilting
- Personal Sanitation System loops down both legs
- Two hidden pockets on interior chest of suit
- Standard side pockets
- Ribbed knit NOMEX[®] lumbar back gusset
- Ribbed knit NOMEX[®] breathable side torso panels

ADDITIONAL OPTIONS FOR PURCHASE:

- Sewn-In arm restraint attachments
- Baja cargo pocket w/ Velcro[®] closure
- Clear front cargo pocket w/ Velcro[®] closure
- Elbow pads
- Knee pads
- Sewn-in stirrups

Custom embroidery (send art for quote)

SFI	Suit Type	SFI Rating	TPP Rating
5	1-Piece / 2-Layer	SFI-5	Over TPP 19

See pages 34 & 35 for suit diagram & fabric colors

MasterCraft[®] Safety RaceSuits are designed to fit best while in the driving position. To avoid an inaccurate fit, please do not alter your measurements from their actual size. We cannot accept responsibility for inaccurate measurements provided to us. NOMEX[®] is a registered trademark of DuPont.

SFI 3.2A/5



CUSTOM STYLE THREE | 1-PIECE 2-LAYER

Materials: Sateen NOMEX[®]
 NOMEX[®] IIIA
 Knit NOMEX[®]
 BASOFIL[®]



Sizes: Small – Medium – Large
 XL – XXL – XXXL

Color options: **NOMEX**

SATEEN

INCLUDED:

- Wrap-Around collar or rounded collar
- Boot cut pant legs or ribbed knit cuff pant legs
- V-Stitch quilting or box stitch quilting
- Tonal thread or contrasting thread coloring
- 360° Floating sleeve made from ribbed knit NOMEX[®]
- Two-Panel bent sleeve
- Ribbed knit NOMEX[®] cuffs
- Personal Sanitation system loops down both legs
- Two hidden pockets on interior chest of suit
- Standard side pockets
- Ribbed knit NOMEX[®] lumbar back gusset
- Ribbed knit NOMEX[®] breathable side torso panels

ADDITIONAL OPTIONS: NO CHARGE

- Piping
- Sewn-In arm restraint attachments
- Admiral sleeves
- Sewn-In stirrups

ADDITIONAL OPTIONS FOR PURCHASE:

- Baja cargo pocket w/ Velcro[®] closure
- Clear front cargo pocket w/ Velcro[®] closure
- Elbow pads
- Knee pads

Custom embroidery (send art for quote)

SFI 5	Suit Type	SFI Rating	TPP Rating
	1-Piece / 2-Layer	SFI-5	Over TPP 19

See pages 34 & 35 for suit diagram & fabric colors

MasterCraft[®] Safety carries a wide variety of NOMEX[®] fabric. Please be aware that colors may vary between batches of material. Fabric samples are available upon request. NOMEX[®] is a registered trademark of DuPont.

SFI 3.2A/5



CUSTOM STYLE FOUR | 1-PIECE 2-LAYER

Materials: Sateen NOMEX[®]
 NOMEX[®] IIIA
 Knit NOMEX[®]
 BASOFIL[®]



Sizes: Small – Medium – Large
 XL – XXL – XXXL

Color options: **NOMEX**

SATEEN

INCLUDED:

- Wrap-Around collar or rounded collar
- Boot cut pant legs or ribbed knit cuff pant legs
- V-Stitch quilting or box stitch quilting
- Tonal thread or contrasting thread coloring
- 360° Floating sleeve made from ribbed knit NOMEX[®]
- Two-Panel bent sleeve
- Ribbed knit NOMEX[®] cuffs
- Personal Sanitation System loops down both legs
- Two hidden pockets on interior chest of suit
- Standard side pockets
- Ribbed knit NOMEX[®] lumbar back gusset
- Ribbed knit NOMEX[®] breathable side torso panels

ADDITIONAL OPTIONS: NO CHARGE

- Piping
- Sewn-In arm restraint attachments
- Admiral sleeves
- Sewn-In stirrups

ADDITIONAL OPTIONS FOR PURCHASE:

- Baja cargo pocket w/ Velcro[®] closure
- Clear front cargo pocket w/ Velcro[®] closure
- Elbow pads
- Knee pads

Custom embroidery (send art for quote)

SFI 5	Suit Type	SFI Rating	TPP Rating
	1-Piece / 2-Layer	SFI-5	Over TPP 19

See pages 34 & 35 for suit diagram & fabric colors

MasterCraft[®] Safety RaceSuits are designed to fit best while in the driving position. To avoid an inaccurate fit, please do not alter your measurements from their actual size. We cannot accept responsibility for inaccurate measurements provided to us. NOMEX[®] is a registered trademark of DuPont.



SFI 3.2A/5



STYLE FIVE | 2-PIECE

AVAILABLE IN SINGLE LAYER OR DOUBLE LAYER

Materials: Sateen NOMEX[®]
 NOMEX[®] IIIA
 FR cotton PROBAN[®]
 Knit NOMEX[®]
 BASOFIL[®]

Sizes: Small – Medium – Large
 XL – XXL – XXXL

Color Ways: Red/Black Black/Black Blue/Black
 Gray/Blue Gray/Black Red/Red
 White/Black Blue/Blue



INCLUDED:

Rounded collar
 360° Floating sleeve made from ribbed knit NOMEX[®]
 Two-Panel bent sleeve
 Ribbed knit NOMEX[®] cuffs
 Boot cut w/ hidden ribbed knit NOMEX[®] ankle cuffs
 Tonal thread box stitch quilting
 Personal Sanitation System loops down both legs
 Two hidden pockets on interior chest of suit
 Standard pant side pockets
 NOMEX[®] ripstop included on cuff of pant for better reinforcement

ADDITIONAL OPTIONS FOR PURCHASE:

Sewn-In arm restraint attachments
 Baja cargo pocket w/ Velcro[®] closure
 Clear front cargo pocket w/ Velcro[®] closure
 Elbow pads
 Knee pads

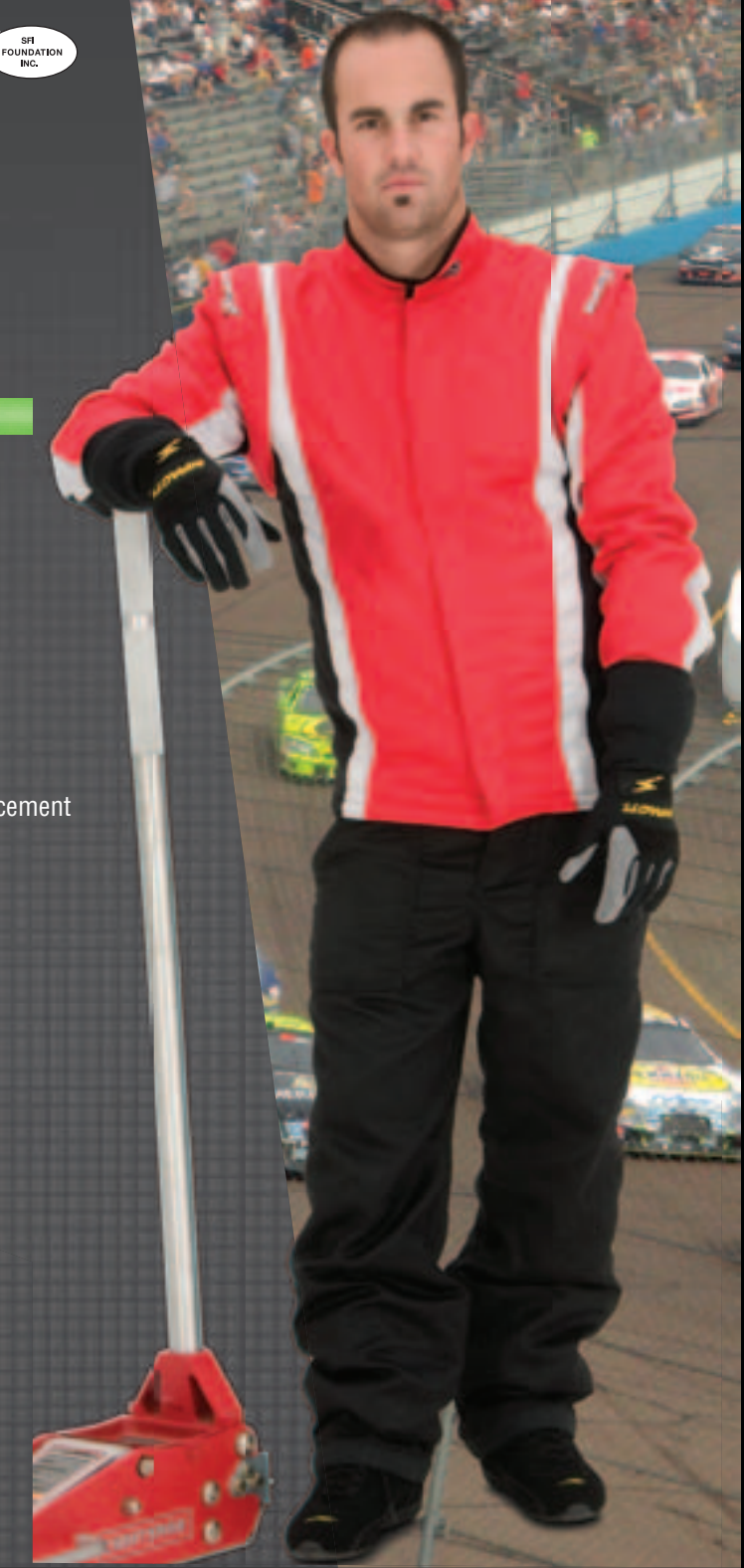
Custom embroidery (send art for quote)

SFI 1/5	Suit Type	SFI Rating	TPP Rating
	2-Piece / 1-Layer	SFI-5	Over TPP 9
	2-Piece / 2-Layer	SFI-5	Over TPP 19

See pages 34 & 35 for suit diagram & fabric colors

MasterCraft[®] Safety carries a wide variety of NOMEX[®] fabric. Please be aware that colors may vary between batches of material. Fabric samples are available upon request. NOMEX[®] is a registered trademark of DuPont.

SFI 3.2A/5



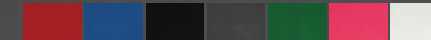
STYLE SIX | 2-PIECE

AVAILABLE IN SINGLE LAYER OR DOUBLE LAYER

Materials: Sateen NOMEX[®]
 NOMEX[®] IIIA
 FR cotton PROBAN[®]
 Knit NOMEX[®]
 BASOFIL[®]

Sizes: Small – Medium – Large
 XL – XXL – XXXL

Color options: **NOMEX**



SATEEN



INCLUDED:

Rounded collar
 360° Floating sleeve made from ribbed knit NOMEX[®]
 Three-Panel bent sleeve
 Ribbed knit NOMEX[®] cuffs
 Boot cut w/ hidden ribbed knit NOMEX[®] ankle cuffs
 Tonal thread V-Stitch quilting
 Personal Sanitation System loops down both legs
 Two hidden pockets on interior chest of suit
 Standard pant side pockets
 NOMEX[®] ripstop included on cuff of pant for better reinforcement

ADDITIONAL OPTIONS FOR PURCHASE:

Piping
 Wrap-Around collar
 Sewn-In arm restraint attachments
 Ribbed knit cuff pant leg
 Baja cargo pocket w/ Velcro[®] closure
 Clear front cargo pocket w/ Velcro[®] closure
 Elbow pads
 Knee pads

Custom embroidery (send art for quote)

SFI 1/5	Suit Type	SFI Rating	TPP Rating
	2-Piece / 1-Layer	SFI-5	Over TPP 9
	2-Piece / 2-Layer	SFI-5	Over TPP 19

See pages 34 & 35 for suit diagram & fabric colors

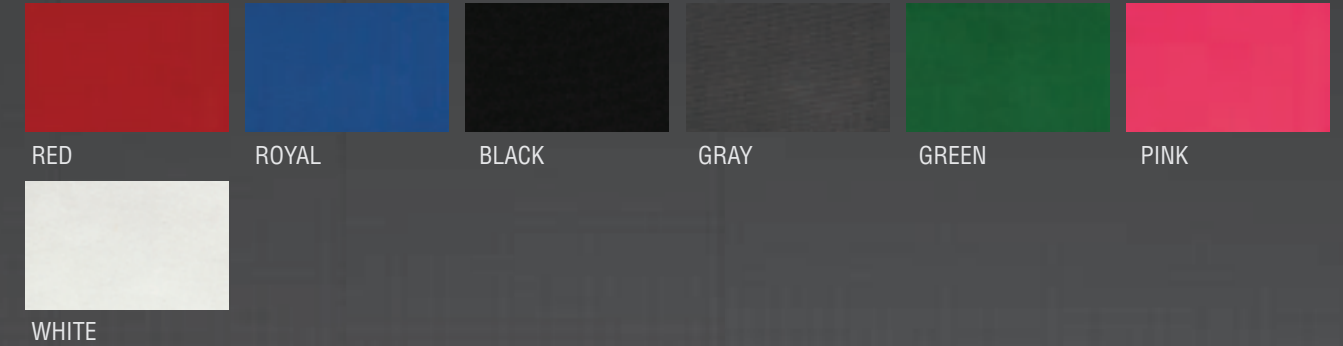
MasterCraft[®] Safety RaceSuits are designed to fit best while in the driving position. To avoid an inaccurate fit, please do not alter your measurements from their actual size. We cannot accept responsibility for inaccurate measurements provided to us. NOMEX[®] is a registered trademark of DuPont.



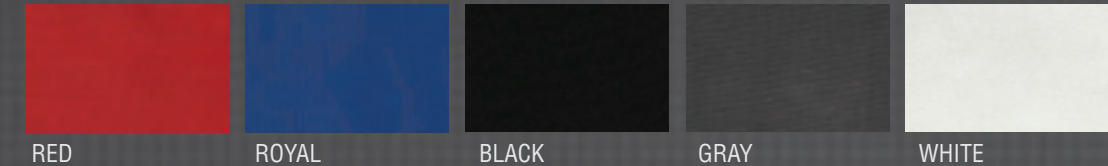
FABRICS

Only premium fabrics are used and feature top quality materials with ultra-violet inhibitors to repel fade and maximize durability. These superior fabrics are also treated for stain resistance.

NOMEX



PROBAN



SATEEN



Only the finest materials are used in the construction of MasterCraft[®] Safety RaceSuits. Colors can be mixed or matched to complement the overall look of your RaceSuit. Simply refer to the color number when ordering your MasterCraft[®] Safety RaceSuit.

NOTE: All colors are subject to availability. Actual color of material may vary from printed sample.

SUIT MEASUREMENTS / NOT TO BODY

All measurements are in inches

SIZE	HEIGHT	WEIGHT	CHEST	WAIST	HIP	SHLDR	BACK	NECK	SLEV	BICEP	O-SEAM	INSEAM	TORSO	CROTCH
SM	5'7" - 5'10"	110/140	36-39	30-32	38	17.5	20	17	25	13.5	38	28	27	23/24
MED	5'7" - 5'10"	120/150	38-40	32-35	40	18	21	18	26	14.5	40	30	28	25/26
MED/LRG	5'9" - 6'0"	140/180	40-43	34-37	42	18.5	22	20	26	15	41	31	29	25/26
LRG	5'10" - 6'2"	180/210	43-46	36-39	44	19	22	20	27	16	41	32	30	27/28
X-LRG	5'10" - 6'2"	200/245	46-48	39-43	45	19.5	22.5	21	28	17	42	32	31	27/28
2X-LRG	5'10" - 6'2"	240/270	48-52	43-48	49	21	23	22	28	18	42	32	32	29/30
3X-LRG	5'10" - 6'2"	270+	52-57	48-52	53	22	25	22	28	19	42	32	33	29/30
SHORT							-5		-1			-1.5		-1.5
LONG							+5		+1			+1.5		+1.5